



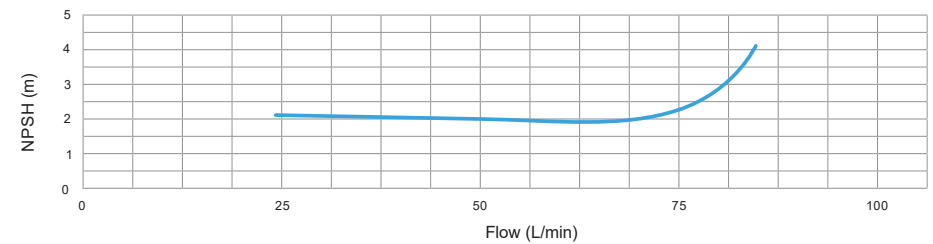
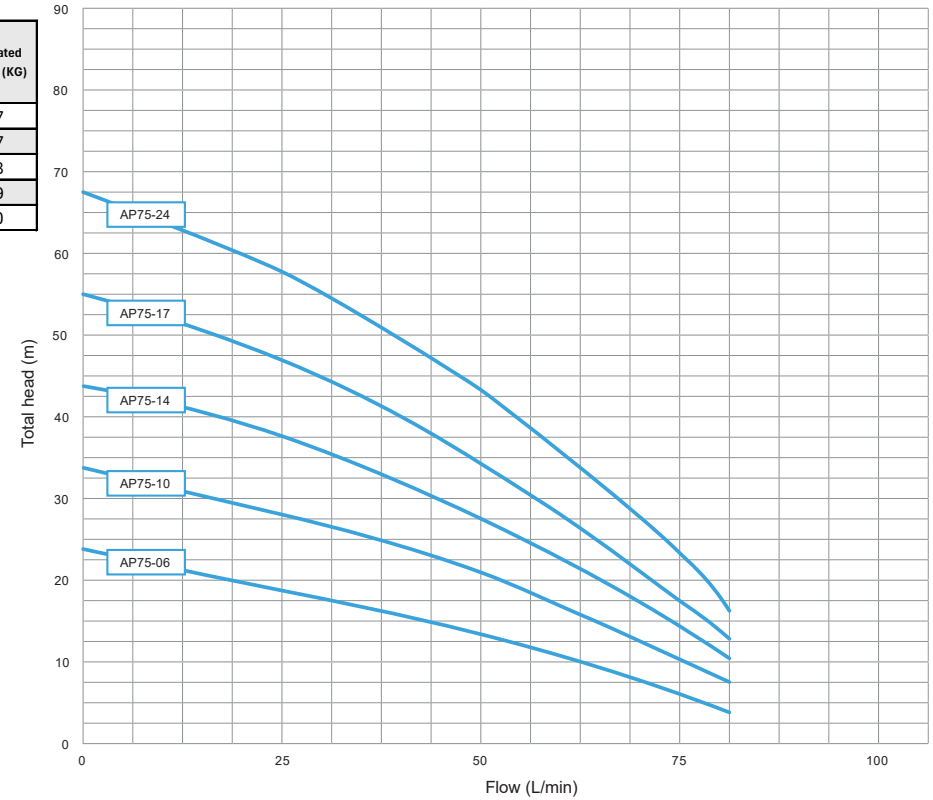
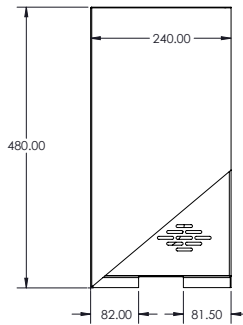
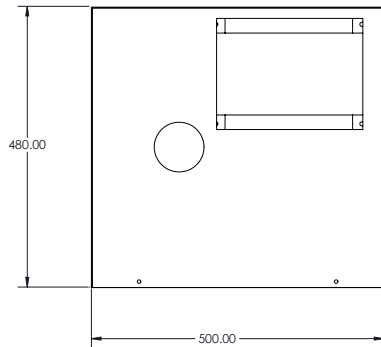
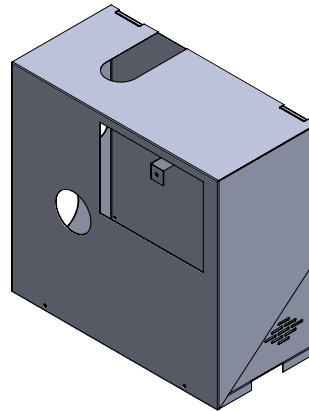
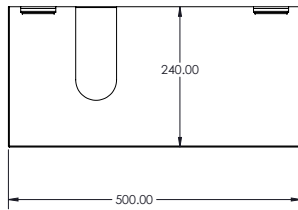
The AquaPOD AP series of residential fire sprinkler pumps are designed for BS9251:2021 category 1 with the following features.

- Pre-assembled compact design
- Fully BS9251:2021 compliant
- 316 Stainless Steel Manifold
- Volt free fire and fault contacts
- Protective ventilated enclosure
- Optional audible alarm
- High Efficiency stainless steel pumps
- Fire resistant cabling for external connections

AP Series Range	
Flow range (Litres per minute)	25 L/min - 110 L/min
Pressure range (Bar)	1 Bar - 5 Bar
Starting Type	Direct online

Material Specification	
Pump Casing & Impellers	304 Stainless Steel
Manifold	316 Stainless Steel
Valves / Check Valve	Brass
Pump Enclosure	Powder Coated Mild Steel

Model	Supply Voltage (V/Phase/Hz)	Nominal Motor Power (kw)	Full Load Current* (A)	Starting Current* (A)	Soft Start Current* (A)	Suction Size	Discharge Size	Dimensions (mm)				Estimated Weight (KG)
								H	W	L	A	
AP75-06 (EH3/02)	230/1/50	0.33	2.5	16.25	N/A	DN32	DN25	480	240	500	110	27
AP75-10 (EH3/03)	230/1/50	0.45	3	16.3	N/A	DN32	DN25	480	240	500	110	27
AP75-14 (EH3/04)	230/1/50	0.55	3.7	17.1	N/A	DN32	DN25	480	240	500	110	28
AP75-17 (EH3/05)	230/1/50	0.75	4.3	17.4	N/A	DN32	DN25	480	240	500	110	29
AP75-24 (EH3/06)	230/1/50	0.9	5.4	26.2	N/A	DN32	DN25	480	240	500	110	30



Model	Supply Voltage (V/Phase/Hz)	Nominal Motor Power (kw)	Full Load Current* (A)	Starting Current* (A)	Soft Start Current* (A)	Suction Size	Discharge Size	Dimensions (mm)				Estimated Weight (KG)
								H	W	L	A	
AP100-10 (EH5/02)	230/1/50	0.45	3	16.2	N/A	DN32	DN25	480	240	500	110	27
AP100-16 (EH5/03)	230/1/50	0.55	3.9	18	N/A	DN32	DN25	480	240	500	110	27
AP100-24 (EH5/04)	230/1/50	0.9	5.3	25.5	N/A	DN32	DN25	480	240	500	110	29
AP100-30 (EH5/05)	230/1/50	1.1	6.2	26	N/A	DN32	DN25	480	240	500	110	30
AP100-38 (EH5/06)	230/1/50	1.3	7.3	30.7	N/A	DN32	DN25	480	240	500	110	33

